

🕒 UPDATED RECENTLY

International Journal of Applied Sciences and Smart Technologies

📄 2655-8564 (PRINT) / 2685-9432 (ONLINE)

[🌐 Website](#) [🌐 ISSN Portal](#)

Feedback

About [Articles](#)

PUBLISHING WITH THIS JOURNAL

💰 There are **NO PUBLICATION FEES** (article processing charges or APCs) to publish with this journal.

🔍 Look up the journal's:

- [Aims & scope](#)
- [Instructions for authors](#)
- [Editorial Board](#)
- [Peer review](#)

→ This journal [checks for plagiarism](#).

🕒 Expect on average **8 weeks** from submission to publication.

BEST PRACTICE

🔒 This journal began publishing in **open access** in 2019. 🕒

This journal uses a **CC BY** license.



→ Look up their [open access statement](#) and their [license terms](#).

© The author **retains unrestricted** copyrights and publishing rights.

→ Learn more about their [copyright policy](#).

🔗 Permanent article identifier:

- DOI

JOURNAL METADATA

📍 Publisher
Universitas Sanata Dharma, Indonesia
Society or institution
Fakultas Sains dan Teknologi, Indonesia
Manuscripts accepted in
English

📁 LCC subjects 🕒
Science
Technology: Engineering (General), Civil engineering (General)

Keywords

[engineering](#) [science](#) [technology](#) [mathematics](#) [physics](#) [chemistry](#)

Added 26 April 2022 • Updated 26 April 2022

◀ Back

International Journal of Applied Sciences and Smart Technologies



English title:
International Journal of Applied Sciences and Smart Technologies

ISSN:
2685-9432 (online)

GICID:
n/d

DOI:
10.24071

Website:
<https://e-journal.usd.ac.id/index.php/IJASST/index> (<https://e-journal.usd.ac.id/index.php/IJASST/index>)

Publisher:
Universitas Sanata Dharma

Country:
ID

Language of publication:
EN

Deposited publications: 62 > Full text: 60% | Abstract: 100% | Keywords: 100% | References: 100%

Issues and contents

Journal description () Details () Scientific profile () Editorial office () Publisher () Metrics ()

International Journal of Applied Sciences and Smart Technologies (IJASST) is published by Faculty of Science and Technology, Sanata Dharma University Yogyakarta-Central Java-Indonesia. IJASST is an open-access peer reviewed journal that mediates the dissemination of academicians, researchers, and practitioners in engineering, science, technology, and basic sciences which relate to technology including applied mathematics, physics, and chemistry. IJASST accepts submission from all over the world, especially from Indonesia

Main page (<http://iml.indexcopernicus.com>) Rules (http://indexcopernicus.com/images/PDF/Regulamin_serwisu_internetowego.pdf) Privacy policy

Non-indexed in the ICI Journals Master List 2021 (http://indexcopernicus.com/images/PDF/Polityka_prywatnosci.pdf) Return policy (http://indexcopernicus.com/images/PDF/Polityka_zwrotow.pdf)

Not reported for evaluation ICV 2021: N/I

© Index Copernicus 2022

Archival ratings >

MSHE points: n/d

INDEX COPERNICUS

Archival ratings >

I N T E R N A T I O N A L

(<http://indexcopernicus.com>)

International Journal of Applied Sciences and Smart Technologies

Volume 01, Issue 02, December 2019

Measuring Privacy Leakage in Term of Shannon Entropy

Ricky Aditya, Boris Skoric

On the Synthesis of a Linear Quadratic Controller for a Quadcopter

Hendra G. Harno

Development of Stamping Machine Module to Improve Practical Competency

Pippie Arbiyanti

**Saving the Moving Position on the Continuous Passive Motion Machine for
Rehabilitation of Shoulder Joints**

Antonius Hendro Noviyanto

**Microcontroller Based Simple Water Flow Rate Control System to Increase
the Efficiency of Solar Energy Water Distillation**

Elang Parikesit, Wibowo Kusbandono, FA. Rusdi Sambada

**Morphological Map Analysis in Design Cashew Sheller (Kacip) as a Creative
Process to Produce Design Concept**

Bertha Bintari Wahyujati

**Design and Development of a Path-Tracking System Based on Radio
Frequency Identification Sensor for Educational Toy Robot (EDOT)**

Martinus Bagus Wicaksono

**Designing Independent Automatic Drinking Water Platforms at
Sanata Dharma University**

Muhammad Prayadi Sulistyanto, Ervan Erry Pramesta

p-ISSN 2655-8564 & e-ISSN 2685-9432

International Journal of Applied Sciences and Smart Technologies

p-ISSN : 2655 - 8564

e-ISSN : 2685 - 9432

[HOME](#) [ABOUT](#) [LOGIN](#) [REGISTER](#) [SEARCH](#) [CURRENT](#) [ARCHIVES](#) [ANNOUNCEMENTS](#)

[Home](#) > [About the Journal](#) > [Editorial Team](#)

Editorial Team

Editor In Chief

[Dr. Eng. I Made Wicaksana Ekaputra](#), Sanata Dharma University, Yogyakarta, Indonesia

Associate Editor

[Prof. Dr. Sudi Mungkasi](#), Sanata Dharma University, Indonesia
[Dr. Yohanes Baptista Lukiyanto](#), Sanata Dharma University, Yogyakarta, Indonesia
[Dr. Ir. Iswanjono](#), Sanata Dharma University, Yogyakarta, Indonesia
[Dr. Mahardhika Pratama](#), Nanyang Technological University, Singapore
[Dr. Mukesh Jewariya](#), National Physical Laboratory, New Delhi, India
[Dr. Apichate Maneewong](#), Thailand Institute of Nuclear Technology, Bangkok, Thailand
[Dr. Augustinus Bayu Primawan](#), Sanata Dharma University, Yogyakarta, Indonesia
[Dr. Pham Nhu Viet Ha](#), Vietnam Atomic Energy Institute, Hanoi, Viet Nam
[Dr. Mongkolserj Lin](#), Institute of Technology of Cambodia, Phnom Penh, Cambodia
[Dr. Monica Cahyaning Ratri](#), Sanata Dharma University, Indonesia
[Prof. Dr. Leo Hari Wiryanto](#), Bandung Institute of Technology, Bandung, Indonesia
[Dr. Pranowo](#), Atma Jaya Yogyakarta University, Yogyakarta, Indonesia

Editorial Proofreader

[Paulina Heruningsih Prima Rosa, M.Sc.](#), Sanata Dharma University, Yogyakarta, Indonesia
[Ir. Ignatius Aris Dwiatmoko, M.Sc.](#), Sanata Dharma University, Yogyakarta, Indonesia

Editorial Assistant

[Rosalia Arum Kumalasanti, M.T.](#), Sanata Dharma University, Indonesia
[Vitalis Ayu, M.Cs.](#), Sanata Dharma University, Yogyakarta, Indonesia
[Eduardus Hardika Sandy Atmaja, M.Cs.](#), Sanata Dharma University, Yogyakarta, Indonesia

Administrator and Circulation

[Catharina Maria Sri Wijayanti, S.Pd.](#), Sanata Dharma University, Yogyakarta, Indonesia

Publisher : [Fakultas sains dan Teknologi](#)

Society/Institution : [Universitas Sanata Dharma](#)



This work is licensed under a [Creative Commons Attribution 4.0 International License](#).



[OPEN JOURNAL SYSTEMS](#)

[Journal Help](#)

USER

Username

Password

Remember me

NOTIFICATIONS

- [View](#)
- [Subscribe](#)

LANGUAGE

Select Language

English

JOURNAL CONTENT

Search

Search Scope

All

Browse

- [By Issue](#)
- [By Author](#)
- [By Title](#)
- [Other Journals](#)

FONT SIZE

INFORMATION

- [For Readers](#)
- [For Authors](#)
- [For Librarians](#)



International Journal of Applied Sciences and Smart Technologies

p-ISSN : 2655 - 8564
e-ISSN : 2685 - 9432

[HOME](#) [ABOUT](#) [LOGIN](#) [REGISTER](#) [SEARCH](#) [CURRENT](#) [ARCHIVES](#) [ANNOUNCEMENTS](#)

Home > Archives > **Volume 01, Issue 02, December 2019**

Volume 01, Issue 02, December 2019

DOI: <https://doi.org/10.24071/ijasst.v1i2>

IJASST Volume 1 No.2 Desember, 2019

Full Issue

View or download the full issue

[PDF](#)

Table of Contents

Articles

[Measuring privacy leakage in term of Shannon entropy](#)

Ricky Aditya, Boris Skoric

DOI: <https://doi.org/10.24071/ijasst.v1i2.1882> | Abstract views: 2019 times

[PDF](#)
85 -100

[On the Synthesis of a Linear Quadratic Controller for a Quadcopter](#)

Hendra Gunawan Harno

DOI: <https://doi.org/10.24071/ijasst.v1i2.1919> | Abstract views: 1538 times

[PDF](#)
101-112

[Development of Stamping Machine Module to Improve Practical Competency](#)

Pippie Arbiyanti

DOI: <https://doi.org/10.24071/ijasst.v1i2.1885> | Abstract views: 1662 times

[PDF](#)
113-120

[Saving the Moving Position on the Continuous Passive Motion Machine for Rehabilitation of Shoulder Joints](#)

Antonius Hendro Noviyanto

DOI: <https://doi.org/10.24071/ijasst.v1i2.1921> | Abstract views: 1691 times

[PDF](#)
121-128

[Microcontroller Based Simple Water Flow Rate Control System to Increase the Efficiency of Solar Energy Water Distillation](#)

Elang Parikesit, Wibowo Kusbandono, FA. Rusdi Sambada

DOI: <https://doi.org/10.24071/ijasst.v1i2.1923> | Abstract views: 1613 times

[PDF](#)
129-146

[Morphological Map Analysis in Design Cashew Sheller \(Kacip\) As a Creative Process to Produce Design Concept](#)

Bertha Bintari Wahyujati

DOI: <https://doi.org/10.24071/ijasst.v1i2.1916> | Abstract views: 1446 times

[PDF](#)
147-168

[Design and Development of a Path-Tracking System Based on Radio Frequency Identification Sensor for Educational Toy Robot \(EDOI\)](#)

Martinus Bagus Wicaksono

DOI: <https://doi.org/10.24071/ijasst.v1i2.1879> | Abstract views: 2036 times

[PDF](#)
169-178

[Designing Independent Automatic Drinking Water Platforms At Universitas Sanata Dharma](#)

Muhammad Prayadi Sulistyanto, Ervan Erry Pramesta

DOI: <https://doi.org/10.24071/ijasst.v1i2.2186> | Abstract views: 1592 times

[PDF](#)
179-188

Publisher : [Fakultas sains dan Teknologi](#)

Society/Institution : [Universitas Sanata Dharma](#)



This work is licensed under a [Creative Commons Attribution 4.0 International License](#).



[OPEN JOURNAL SYSTEMS](#)

[Journal Help](#)

USER

Username

Password

Remember me

[Login](#)

NOTIFICATIONS

- [View](#)
- [Subscribe](#)

LANGUAGE

Select Language

English

[Submit](#)

JOURNAL CONTENT

Search

Search Scope

All

[Search](#)

Browse

- [By Issue](#)
- [By Author](#)
- [By Title](#)
- [Other Journals](#)

FONT SIZE

INFORMATION

- [For Readers](#)
- [For Authors](#)
- [For Librarians](#)



L^AT_EX
Template



Saving the Moving Position on the Continuous Passive Motion Machine for Rehabilitation of Shoulder Joints

Antonius Hendro Noviyanto

Politeknik Mekatronika Sanata Dharma, Yogyakarta, Indonesia

Corresponding Author: hendro@pmsd.ac.id

(Received 03-06-2019; Revised 29-10-2019; Accepted 29-10-2019)

Abstract

This paper presents the results of the motion therapy device Continuous Passive Motion (CPM) Machine which is applied to the shoulder joint with storage movement. The process of joint rehabilitation is carried out by continuous passive movements. This movement is intended not to overload the work of the muscles and there is no stiffness in the joints after surgery or stroke patients or patients who have carried out immobilization for quite a long time. The CPM Machine developed can move flexion and horizontal abduction. The position storage in this tool is carried out in a range of movements in flexion and horizontal abduction. With the storage of movement can be done movement/therapy exercises in patients with joint stiffness can be done passively and continuously.

Keywords: CPM machine, joint rehabilitation, flexion, horizontal abduction

1 Introduction

Post-joint surgery patients or patients who are injured in the joints are required to do joint movement exercises. Joint movement exercises can be performed using therapy equipment Continuous Passive Motion Machine (CPM machine) [1]. Basically the

working principle of this tool is to move passively and continuously as needed, so that the joints in patients do not experience stiffness [2].

Joint stiffness can be caused by prolonged immobilization of the shoulder joint due to post joint surgery. In addition, joint stiffness can also be caused by patients who are reluctant to move the joint due to the pain felt by the patient. Based on the results of the interview with Dr. Hermawan Nagar Rasyid, Dr., SpOT., M.T., Ph.D., FICS., therapy for joints of the shoulder can be done with flexion and extension as well as horizontal motion adduction and horizontal abduction.

Joint stiffness can be prevented by providing movement exercises that can restore ROM from the shoulder joint [3]. The movement can be given to patients with passive and repeated joint stiffness. Passive movement is a movement that does not require muscle work. Movement exercises are carried out 3-5 times a day, where each exercise is carried out for 1 hour. Movements that can be given include [4]:

1. Flexion / extension: to reduce tissue adhesions
2. Adduction / abduction: to increase the range of motion of the shoulder
3. Rotational motion: to increase the range of motion of the shoulder

Giving training is done by giving the angle of movement gradually with the recommended speed is 1 rotation in 45 seconds [4]. Long immobilization can lead to joint stiffness. Joint stiffness can be reduced by moving the joints. In patients after joint surgery it is recommended to immediately carry out joint movement exercises, so as to reduce the risk of joint stiffness.

CPM machine is a tool that has a method of rehabilitation of damaged joints [5]. Movement exercises using CPM machines can stimulate healing and regeneration of joint cartilage and prevent joint stiffness. The use of CPM machines has the following benefits [5]:

1. Improve nutrition and metabolic activity on the surface of cartilage.
2. Stimulates mesenchymal cells to differentiate inside the surface of the cartilage.
3. Accelerate healing of cartilage and periarticular tissue, such as tendons and ligaments.

The use of CPM machine that is in accordance with the procedure, is expected to restore the scope of motion of the joints for sufferers of joint trauma/patients post joint surgery [6].

Based on the need for therapeutic tools for the shoulder joint, then in this study a storage test of movement on the CPM Machine therapeutic apparatus was made. So that the therapeutic apparatus can be used repeatedly with the same movement mode according to the storage of movements that have been carried out.

2 Design

CPM Machine that will be designed is a system based on a microcontroller. The system in this tool consists of a microcontroller, DC motor controller, and rotary encoder. The overall system block diagram is shown in Figure 1.

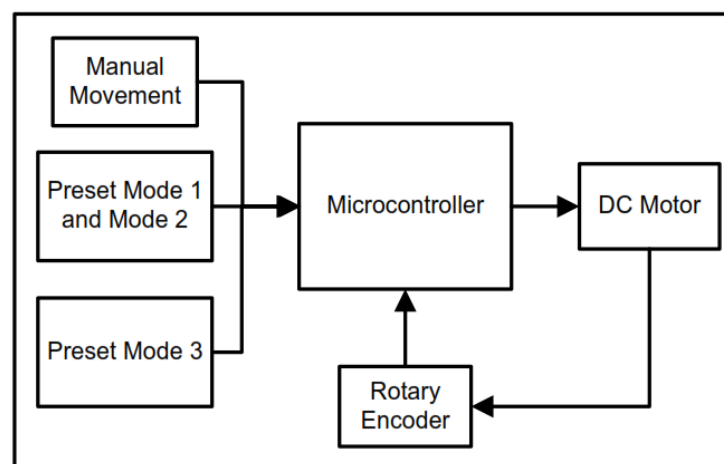


Figure 1. Diagram block system [7]

The therapeutic apparatus that is made can do flexion and horizontal abduction. The flexion movement angle is $20^{\circ} - 120^{\circ}$ and the movement angle from horizontal abduction is $0^{\circ} - 180^{\circ}$. Besides the movement angle, on this tool people can also set the rotational speed of the tool, namely: 1 RPM, 2 RPM, and 3 RPM. The rotating speed in the tool is controlled using PID control [7].

As in Figure 2, the tool has 3 working modes, namely:

1. Mode I : flexion
2. Mode II : horizontal abduction
3. Mode III : save position

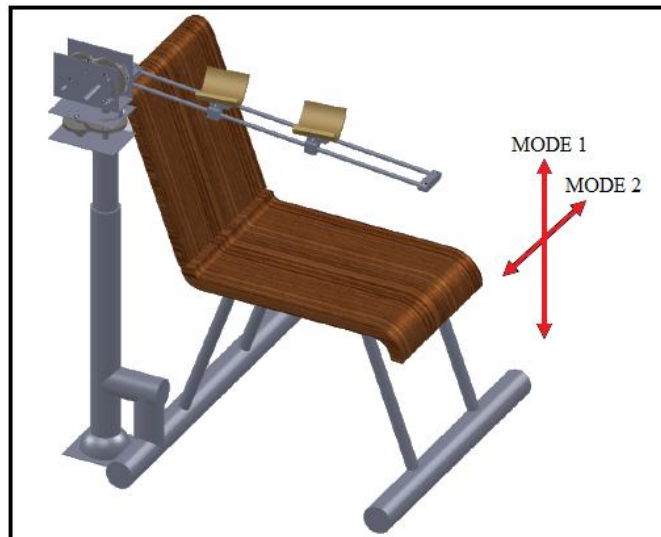


Figure 2. Tool movement mode [7]

In mode I the tool will move flexibly with a movement angle of $20^{\circ} - 120^{\circ}$. In mode II the tool will move horizontally abduction with a movement angle of $0^{\circ} - 80^{\circ}$ [7]. While in mode III the tool moves according to the position that has been saved. The position stored can change according to the needs with a range of flexed and horizontal abduction movements.

The storage system on the device utilizes the memory facilities available on the microcontroller. Data is stored in the form of data on movement angle and desired type of movement (flexion/abduction).

3 Method

The method used in this study is by conducting experiments on tools to get the test results. The results obtained are the results of tool movement angle data and the results of movement based on position storage.

In testing the movement angle of the tool, the method that is carried out is by measuring the movement steps of the tool by using a protractor. The results of these measurements will then be compared with the desired requirements.

Testing the movement in accordance with storage is done by comparing the results of the movement stored in memory from the first cycle to the next cycle.

4 Testing and Discussion

Testing on this tool is done by testing the movement angle and rotational speed of the rotating tool.

4.1 Testing and Discussion of Moving Angles

In flexion movements the measured angles are 30° and 90° , while the horizontal movement of abduction measured angles are 15° and 45° . The results of flexion angle test can be seen in Figure 3.a., while the results of horizontal angle of abduction test can be seen in Figure 3.b.

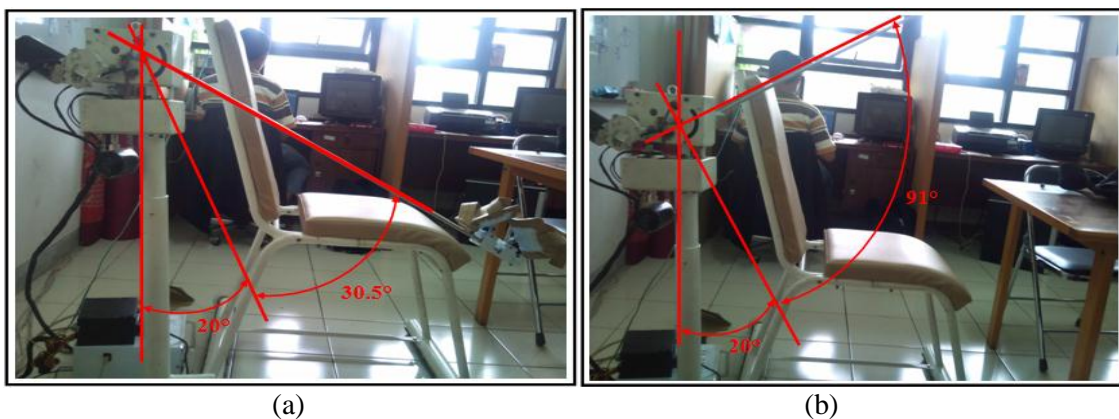


Figure 3. Testing of flexional motion angle: (a) Motion with angle 30° (b) Motion with angle 90°

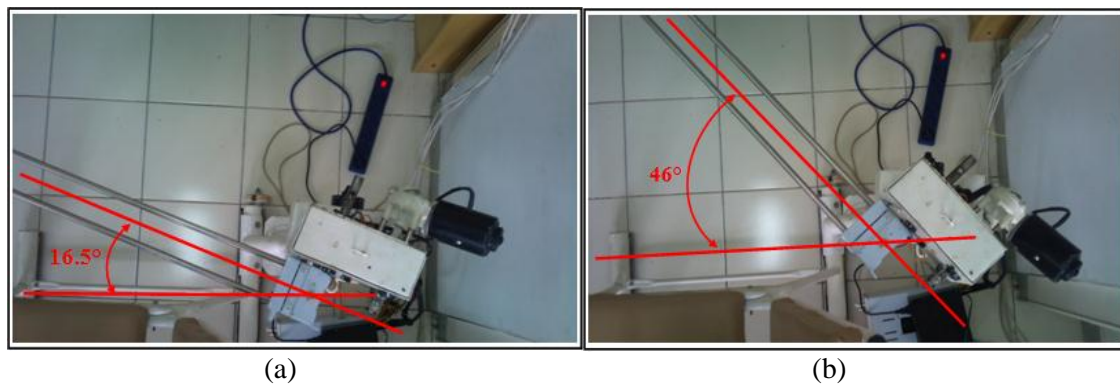


Figure 4. Testing of horizontal motion angles: (a) Motion with angles 15° (b) Motion with angles 45°

The graph in Figure 4 shows the results of motor movement that approaches a straight line. The angle of movement and speed of the tool has a result that is not much different from the settings in the tool. The table of comparison of the results of the movement of the tools and settings in the tool can be seen in Table 1.

Table 1. Moving angle test results

No.	Tool Movement	Desired Angle	Angle Measurement
1	Flexion	30°	30.5°
2		90°	91°
3	Horizontal Abduction	15°	16.5°
4		45°	46°

4.2 Movement Testing and Discussion in Accordance with Position Storage

The arm support that is stored in this position is flexion, abduction, and flexion. Graphs of movement results with position storage can be seen in Figure 5.

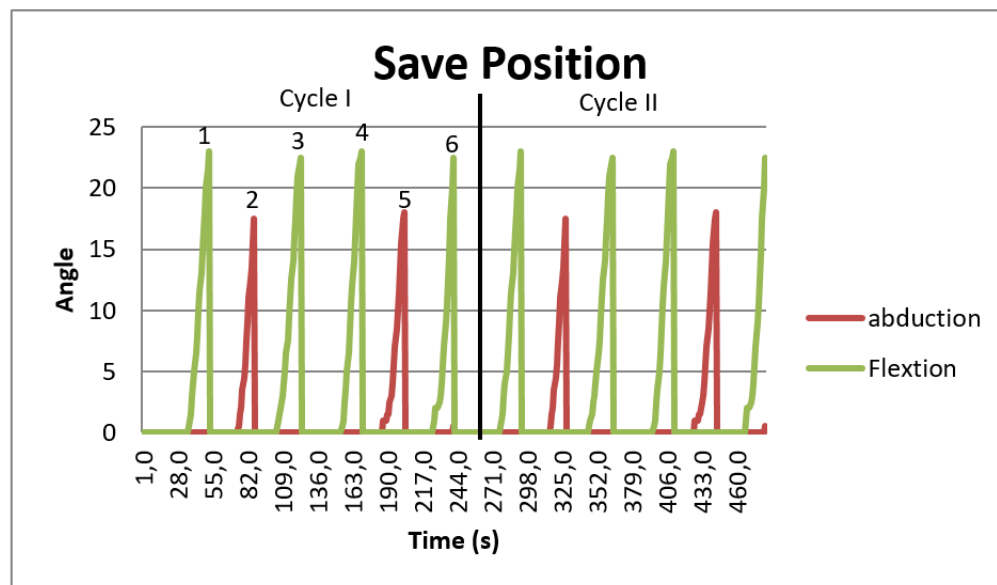


Figure 5. Motion chart with position storage

The position stored in the movement is the movement with the trajectory of flexion and abduction.

Numbers 1, 2, and 3 in the graph show the movement of the arm support. In accordance with the storage of movements that have been carried out, number 1 is a graph of flexion movements. Number 2 in the figure shows a graph of horizontal abduction. While number 3 in the picture shows a graph of flexion movements. The next three movements are movements to return to the starting position. Number 4 is a graph of flexion movements. Number 5 in the figure shows horizontal abduction, where as number 6 from the figure shows flexion. In accordance with the resulting graph, the movement with position storage requires 6 movements for one cycle.

Based on the graph shown, there are similarities in the resulting movement. Movements 1-6 of the first cycle have similarities in movement with movements 1-6 of the second cycle.

5 Conclusion

Based on the results of testing that has been done, the tool can work as needed. Data storage can be carried out and can be implemented on the device. Based on the data

from the movement of the storage, the tool can store movement in accordance with what is needed and can work according to the movements that have been stored.

Acknowledgements

The author thank Dr. Hermawan Nagar Rasyid, SpOT., M.T., Ph.D., FICS who provided information about the need for CPM machine therapy devices.

References

- [1] S. Miyaguchi, N. Matsunaga, K. Nojiri, and S. Kawaji, “Impedance control of CPM device with flex-/extension and pro-/supination of upper limbs,” *IEEE/ASME International Conference on Advanced Intelligent Mechatronics*, 2007.
- [2] S. Miyaguchi, N. Matsunaga, K. Nojiri, and S. Kawaji, “On effective movement in CPM for shoulder joint,” *IEEE International Conference on Systems, Man and Cybernetics*, 2008.
- [3] J. Hamill and K. M. Knutzen, *Biomechanical Basis of Human Movement*, 3rd Edition, Lippincott Williams & Wilkins, USA, 2009.
- [4] Mujianto, *Cara Cepat Mengatasi 10 Besar Kasus Muskuloskeletal dalam Praktik Klinik Fisioterapi*, CV. Trans Info Media, 2013.
- [5] R. B. Salter, *Continuous Passive Motion (CPM): Textbook of Disorders and Injuries of the Musculoskeletal System*, Lippincott Williams & Wilkins, USA, 1999.
- [6] S. W. O'Driscoll and N. J Giori, “Continuous Passive Motion (CPM): theory and principles of clinical application,” *Journal of Rehabilitation Research and Development*, **37** (2), 179–188, 2000.
- [7] A. H. Noviyanto and M. Richard, “Development of therapy equipment for continuous passive motion machine shoulder joints: track motion control,” *ISIET Innovation and Technology in Education for 21st Century Supporting Thailand 4.0*, 2017.