



JURNAL POLIMESIN

POLITEKNIK NEGERI LHOKSEUMAWA

P-ISSN : 16935462 < > E-ISSN : 25491199 Subject Area : Science, Engineering

0.52631
6
Impact Factor

454
Google Citations

Sinta 2
Current
Accreditation

[Google Scholar](#) [Garuda](#) [Website](#) [Editor URL](#)

History Accreditation

2017 2018 2019 2020 2021 2022 2023 2024

Garuda [Google Scholar](#)

[Design and Manufacture of Portable Coffee Roaster with LPG Heater System](#)

Politeknik Negeri Lhokseumawe [Jurnal POLIMESIN Vol 21, No 1 \(2023\): February 122-126](#)

2023 [DOI: 10.30811/jpl.v21i1.2622](#) [Accred : Sinta 2](#)

[Study of Mechanical Strength of Composite Materials Made from Marble and Sago Fiber Waste for Rencong Marble Souvenirs Storage](#)

Politeknik Negeri Lhokseumawe [Jurnal POLIMESIN Vol 21, No 1 \(2023\): February 1-3](#)

2023 [DOI: 10.30811/jpl.v21i1.2627](#) [Accred : Sinta 2](#)

[The Effect of Rotational Speed on Friction Stir Welding \(FSW\) Quality of Dissimilar Aluminum Alloy Series AA 1100 and AA 5052](#)

Politeknik Negeri Lhokseumawe [Jurnal POLIMESIN Vol 21, No 1 \(2023\): February 21-24](#)

2023 [DOI: 10.30811/jpl.v21i1.2827](#) [Accred : Sinta 2](#)

[Comparison Between a Thermosiphon and a Wick Heat Pipe Performance with Temperature Difference](#)

Politeknik Negeri Lhokseumawe [Jurnal POLIMESIN Vol 21, No 1 \(2023\): February 73-76](#)

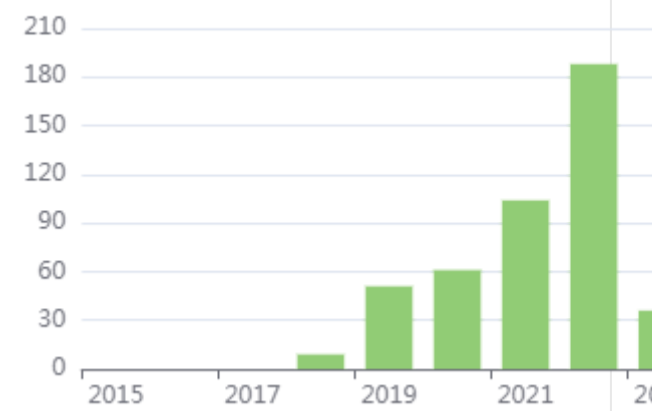
2023 [DOI: 10.30811/jpl.v21i1.3001](#) [Accred : Sinta 2](#)

[Static Continuous Passive Motion \(CPM\) Machine Simulation Tackle Therapy with SolidWorks](#)

Politeknik Negeri Lhokseumawe [Jurnal POLIMESIN Vol 21, No 1 \(2023\): February 118-121](#)

2023 [DOI: 10.30811/jpl.v21i1.3077](#) [Accred : Sinta 2](#)

Citation Per Year By Google Scholar



Journal By Google Scholar

	All	Since 2018
Citation	454	450
h-index	10	10
i10-index	11	11

[Natural Dyes as a Photosensitizer from Dragon Fruit \(*Hylocereus polyrhizus*\) for Dye-Sensitized Solar Cells](#)

Politeknik Negeri Lhokseumawe [Jurnal POLIMESIN Vol 21, No 1 \(2023\): February 4-8](#)

2023 [DOI: 10.30811/jpl.v21i1.3082](#) [Accred : Sinta 2](#)

[Effect of Volume Fraction and Alkalization Treatment on Mechanical Properties of Abaca Fiber Reinforced Composites as a Composite Board Substitute for Wood Products](#)

Politeknik Negeri Lhokseumawe [Jurnal POLIMESIN Vol 21, No 1 \(2023\): February 9-16](#)

2023 [DOI: 10.30811/jpl.v21i1.3125](#) [Accred : Sinta 2](#)

[Archimedes Screw Turbine Application on Portable Mini Hydropower Plant](#)

Politeknik Negeri Lhokseumawe [Jurnal POLIMESIN Vol 21, No 1 \(2023\): February 88-92](#)

2023 [DOI: 10.30811/jpl.v21i1.3126](#) [Accred : Sinta 2](#)

[Design of Feed Rate Control System on Loss in Weight Feeder using Programmable Logic Controller](#)

Politeknik Negeri Lhokseumawe [Jurnal POLIMESIN Vol 21, No 1 \(2023\): February 93-100](#)

2023 [DOI: 10.30811/jpl.v21i1.3184](#) [Accred : Sinta 2](#)

[Performance Analysis Cooling Tower Type Induced Draft with PVC Plate Filling Material](#)

Politeknik Negeri Lhokseumawe [Jurnal POLIMESIN Vol 21, No 1 \(2023\): February 152-157](#)

2023 [DOI: 10.30811/jpl.v21i1.3185](#) [Accred : Sinta 2](#)

[View more ...](#)

Get More with
SINTA Insight

[Go to Insight](#)

Citation Per Year By Google Scholar

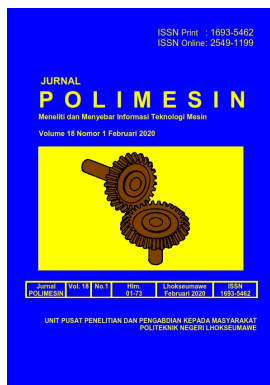
Journal By Google Scholar

	All	Since 2018
Citation	454	450
h-index	10	10
i10-index	11	11

ICI World of Journals (/search/form) / Jurnal POLIMESIN

[◀ Back](#)

Jurnal POLIMESIN



English title:
 Journal of POLIMESIN
 ISSN:
 1693-5462 (print), 2549-1199 (online)
 GICID:
 n/d
 DOI:
 10.30811/jpl
 Website:
<http://e-jurnal.pnl.ac.id/index.php/polimesin/index> (<http://e-jurnal.pnl.ac.id/index.php/polimesin/index>)
 Publisher:
 Pusat Penelitian dan Pengabdian Masyarakat
 Country:
 ID
 Language of publication:
 EN ID

Deposited publications: 135 > Full text: 100% | Abstract: 100% | Keywords: 100% | References: 100%

[Issues and contents](#)

Journal description () Details () Scientific profile () Editorial office ()

As part of our website we use cookies to provide you with services at the highest level, including in a manner tailored to individual needs . Using the site without changing the settings for cookies results in saving them in your device . You can change cookies' settings any time you want in your web browser. More details in our Cookies Policy

Publisher () Metrics () Got it!

Journal POLIMESIN is a peer-reviewed journal that publishes original and high-quality research papers in all areas of mechanical engineering. The editorial team aims to publish high quality and highly applied research and innovation that has the potential to be widely disseminated, taking into consideration the potential mechanical engineering that it could generate. The Journal is published twice a year in February and August. KEMENRISTEKDIKTI (Ministry of Research, Technology and Higher Education of Republic of Indonesian) a National Accredited Journal, Qualification S4 , Since January 14th, 2019

Non-indexed in the ICI Journals Master List 2021
Main page (<http://jmi.indexcopernicus.com>) . Rules

(http://indexcopernicus.com/images/PDF/Regulamin_serwisu_internetowego.pdf) . Privacy policy
Not reported for evaluation

(http://indexcopernicus.com/images/PDF/Polityka_prywatnosci.pdf) . Return policy Archival ratings >

(http://indexcopernicus.com/images/PDF/Polityka_zwrotow.pdf)

© Index Copernicus 2022

INDEX  COPERNICUS Archival ratings

I N T E R N A T I O N A L
(<http://indexcopernicus.com>)

As part of our website we use cookies to provide you with services at the highest level , including in a manner tailored to individual needs . Using the site without changing the settings for cookies results in saving them in your device . You can change cookies' settings any time you want in your web browser. More details in our Cookies Policy

Jurnal Polimesin

Disseminating information on the research of mechanical engineering.

Indexed: ICI, Accredited: Sinta 2

<http://e-jurnal.pnl.ac.id/polimesin>

Volume: 16, No. 2, August 2022

ISSN-p: 1693-5462, ISSN-e: 2549-1199

Department of mechanical engineering

Lhokseumawe State Polytechnic

Keywords: Aceh Coffee Brewing Process, CAD/ CAM, Thermal Energy, DOE, Level Control floating valve, Sink Faucet Solar Collector Design of Work Tool, Air Blower,

SMAW, Friction Stir Welding Processing Step, microstructure





Jurnal Polimesin

Disseminating information on the research of mechanical engineering
Index: ICI, SINTA 2, Google Scholar ISSN Online: 2549-1199, ISSN Print: 1693-5462
Department of Mechanical Engineering, Lhokseumawe State Polytechnic, Lhokseumawe 24301, Indonesia

- HOME
- ABOUT
- LOGIN
- REGISTER
- SEARCH
- CURRENT
- ARCHIVES
- ANNOUNCEMENTS
- FOCUS & SCOPE
- AUTHOR GUIDELINES
- EDITORS
- REVIEWERS

CONTACT

Home > About the Journal > Editorial Team

Editorial Team

Editor in Chief

A. Jannifar, PhD, Politeknik Negeri Lhokseumawe, Scopus Author ID: 55123253500, Indonesia

Associate Editors

- Dr. Iskandar Hasanuddin, Mechanical and Industrial Engineering Department, Universitas Syiah Kuala, Darussalam, Banda Aceh, Indonesia, Indonesia
- Ir. Syukran, ST.,MT.,IWS.,IWE, Politeknik Negeri Lhokseumawe. ID Scopus: 55995422000. API-IWS, Indonesia
- Muhammad Akil, Universitas Negeri Makassar, Indonesia
- Alex Taufiqurrohman Zain, Politeknik Negeri Jember, Indonesia
- Amir Zaki Mubarak, Syiah Kuala University, Scopus Author ID: 57190937549
- Riki Effendi, SINTA Author ID: 6005340, University of Muhammadiyah Jakarta, Indonesia
- Dr. Faisal Muhammad Nur, Universitas Malikussaleh, Scopus Author ID: 57201065285, Indonesia
- Zulkifli Zulkifli, Politeknik Negeri Balikpapan, Indonesia

Advisory International Editorial Boards

- Prof. Dr-ing. Yupiter HP Manurung, Universiti Teknologi MARA, Scopus Author ID=36768369500, Malaysia
- Prof. Dr. Teuku Meurah Indra Mahlia, University of Technology Sydney, Scopus Id Author: 56997615100, Australia
- Prof. Dr. Ir. Wahyu Kuntjoro, Universiti Teknologi Mara, Scopus Author ID=26429710100, Malaysia
- Assoc. Prof. Dr. Nor Azwadi Che Sidik, Universiti Teknologi Malaysia, Scopus Author ID=57204852231, Malaysia
- Dr. Ghulamullah Khan, Balochistan University of Information Technology, Engineering and Management Sciences (BUIITEMS) Quetta Balochistan, Scopus ID: 57069647500, Pakistan
- Prof. Dr. Husaini Husaini, Scopus Author ID: 18039973700, Syiah Kuala University, Indonesia
- Prof. Dr. Ahmad Syuhada, Scopus Author ID: 6507237385, Syiah Kuala University., Indonesia
- Dr. Abdul Rahman Mohamed Mallah, R&D Engineer alfanr Electric Systems, alfanr Group Riyadh, Scopus Author ID=57203285563, Saudi Arabia
- Dr. Thanh-Long Le, Ho Chi Minh City University of Technology (HCMUT), VNU-HCM, Scopus Author ID:56482723600., Viet Nam

Assistant Editor

- Dr. Irfai Fathurohman, Universitas Muria Kudus, Scopus Author ID 57198432046, Indonesia
- Dr. Widhorini Widhorini, PDRI (Persaudaraan Dosen Seluruh Indonesia), Universitas Kuningan.
- Phan Thi Kim Thao, Hochiminh city University of Education, Viet Nam
- Ismi Amalia, Politeknik Negeri Lhokseumawe, Indonesia
- Andri Wardana, Mae Fah Luang University, Thailand
- Wahdaniah Wahdaniah, Politeknik Negeri Lhokseumawe, Indonesia
- Emilda Emilda, Universitas Malikussaleh, Indonesia

Publication Ethics

Open Access Policy

Online Submission

Peer Review Process

Author Fees

Abstracting & Indexing

COLLABORATED WITH PDRI;



MoU Jurnal Polimesin-PDRI

Supported by :



ARTICLE TEMPLATE



ISSN

P-ISSN: 1693-5462 ; E-ISSN: 2549-1199



USER

Username

Password

Remember me

Login

JOURNAL CONTENT

Search

Search Scope

All

Search

ABSTRACTING & INDEXING BY:





Jurnal Polimesin

Disseminating information on the research of mechanical engineering
 Index: ICI, SINTA 2, Google Scholar ISSN Online: 2549-1199, ISSN Print: 1693-5462
 Department of Mechanical Engineering, Lhokseumawe State Polytechnic, Lhokseumawe 24301, Indonesia

HOME ABOUT LOGIN REGISTER SEARCH CURRENT ARCHIVES ANNOUNCEMENTS FOCUS & SCOPE AUTHOR GUIDELINES EDITORS REVIEWERS

CONTACT
 Home > Archives > Vol 21, No 1 (2023)

Vol 21, No 1 (2023)

February

DOI: <http://dx.doi.org/10.30811/jpl.v21i1>

Table of Contents

Study of Mechanical Strength of Composite Materials Made from Marble and Sago Fiber Waste for Rencong Marble Souvenirs Storage <i>Ihsan Anwar, Asbahrul Amri, Lindawati Lindawati, Sandika Putri Rahayu, Edi Saputra</i>	PDF 1-3
Natural Dyes as a Photosensitizer from Dragon Fruit (<i>Hylocereus polyrhizus</i>) for Dye-Sensitized Solar Cells <i>Kartika Sari, Sunardi sunardi, Dita Asa Panunggul, Agung Bambang Setio Utomo, Parmin Lumban Toruan, Ampala Khoryanton</i>	PDF 4-8
Effect of Volume Fraction and Alkalization Treatment on Mechanical Properties of Abaca Fiber Reinforced Composites as a Composite Board Substitute for Wood Products <i>Abubakar Dabet, Zulmiardi Zulmiardi, Ferry Safriwardi</i>	PDF 9-16
Optimization of S-EDM Process Parameters on Material Removal Rate using Copper Electrodes <i>Khoirudin Khoirudin, Sukarman Sukarman, Nana Rahdiana, Ade Suhara, Ahmad Fauzi</i>	PDF 17-20
The Effect of Rotational Speed on Friction Stir Welding (FSW) Quality of Dissimilar Aluminum Alloy Series AA 1100 and AA 5052 <i>Tarkono Tarkono, Frengki Tenando, Nafrizal Nafrizal, Irza Sukmana</i>	PDF 21-24
The Influence of Annealing Temperature and Holding Time Near Glass Transition Temperature on the Tensile Strength of Fused Deposition Modeling Printed Polylactic Acid <i>Michael Evan, The Jaya Suteja, Sunardi Tjandra</i>	PDF 25-28
The Effect of Modular Portable Clamp on Electrical Heat Traces for Wellhead Icing Prevention <i>Arya Dwi Candra, Pradini Rahalintar, Akba Gushari, Muhammad Aulia Fikri, Novlian Adonia Borolla, Zulfan Zulfan, Zainal Abidin</i>	PDF 29-32
Automatic Tobacco Dryer Refrigeration System Optimization Using PLC and SCADA <i>Syahid Syahid, Mochamad Muqorobin, Yusnan Badruzzaman, Aggie Brenda Vernandez, Akhmad Jamaah</i>	PDF 33-41
Optimization of the performance of the steam turbine SCSF-31.2" with 6 stages of axial exhaust in "X" geothermal power plant (PLTP "X") <i>Hernawan Novianto, Zakiy Kamikho Harfy, Shultoni Mahardika, Sujono Sujono, Ayende Ayende</i>	PDF 42-45
Optimization of Nickel Electroplating on Low Carbon Steel for Corrosion Resistance using Immersion Corrosion test with 3.5% NaCl <i>Parulian Siagian, Richard A.M. Napitupulu, Eko Yohanes Setyawan, Muhammad Fakhri Amadika</i>	PDF 46-49
The Effect of Varying Torrefaction Temperature on the Physical and Mechanical Properties of Briquettes Made from King Grass <i>Rifanida Rifanida, Adi Setiawan, Shafira Riskina, Abubakar Dabet, Alchalil Alchalil</i>	PDF 50-54
Investigation of the Mechanical Behavior of Laminated Composites Curcun Based Plastic	PDF

Publication Ethics

Open Access Policy

Online Submission

Peer Review Process

Author Fees

Abstracting & Indexing

COLLABORATED WITH PDRI;



MoU Jurnal Polimesin-PDRI

Supported by :



ARTICLE TEMPLATE



ISSN

P-ISSN: 1693-5462 ; E-ISSN: 2549-1199



USER

Username

Password

Remember me

Login

JOURNAL CONTENT

Search

Search Scope

All

Search

Investigation of the Mechanical Behavior of Laminated Composites Gypsum-Based Plastic Sack Waste Fiber	PDF 55-59
<i>Indra Mawardi, Samsul Bahri, Hamdani Nurdin, Irwin Syahri Cebro, Luthfi Luthfi, Zuhaimi Zuhaimi, Zuhaimi Zuhaimi, Ismi Amalia, Ismi Amalia</i>	
The Mixture of Molybdate and Ethoxylated Fatty Amines as Corrosion Protection in SAW Weld Joints of API 5L X-52 Pipeline Steel 3.5% NaCl Solution: Electrochemical Study	PDF 60-64
<i>Hery Tristijanto, Mochammad Noer Ilman, Priyo Tri Iswanto</i>	
Dove Tail Interlocking Tensile Stress Analysis Comparison of ABS and PLA Material in Solid Works Simulation	PDF 65-72
<i>Bertha Bintari Wahyujati, Felix Krisna Aji</i>	
Comparison Between a Thermosiphon and a Wick Heat Pipe Performance with Temperature Difference	PDF 73-76
<i>Fazri Amir, Samsul Rizal, Razali Thaib, Hamdani Umar, Nasruddin A Abdullah</i>	
Evaluation of Tubing Diameter and Bean Size for Optimization of Well Production Rate	PDF 77-82
<i>Arya Dwi Candra, Muhammad Firmansyah Hafidzullah, Rakha Reswara, Paradongan Siahaan, Dies Elita Budiyanti, Zainal Abidin</i>	
The Effect of SiC and Cu Weight Fraction on the Characteristics of Al 6061 Composite	PDF 83-87
<i>Sumarji Sumarji, Danny Febriansyah, Mahros Darsin, Wazirotus Sakinah, R. Puranggo Ganjar Widityo</i>	
Archimedes Screw Turbine Application on Portable Mini Hydropower Plant	PDF 88-92
<i>RD Kusumanto, M. Noviansyah Nugraha, Indrayani Indrayani</i>	
Design of Feed Rate Control System on Loss in Weight Feeder using Programmable Logic Controller	PDF 93-100
<i>Asepta Surya Wardhana, Chalidia Nurin Hamdani, Astrie Kusuma Dewi, Javier Umar Ravy, Ferro Aji, Dwiana Hendrawati</i>	
Implementation of PID Controller on Hohenheim Tunnel Dryer Using Ziegler-Nichols Approach Method	PDF 101-107
<i>Melinda Melinda, Rita Khatir, Ari Rahmat Putra Ibina, Alfatirta Mufti, Rizal Syahyadi, Iskandar Hasanuddin</i>	
Design Analysis of Hydraulic Lifter Spreader Assy LRT Using Finite Element Method	PDF 108-111
<i>Ampala Khoryanton, Gutomo Gutomo, Sugeng Irianto, Farikah Tono Putri, Ahmad Hamim S</i>	
Optimization of Savonius Turbine Towards Different Inner Blade Positions to Improve Turbine Performance	PDF 112-117
<i>Yusuf Dewantoro Herlambang, Supriyo Supriyo, Budhi Prasetyo, Abdul Syukur Alfauzi, Marliyati Marliyati, Wawan Purwanto, Fatahul Arifin, Zakki Fuadi Emzain</i>	
Static Continuous Passive Motion (CPM) Machine Simulation Tackle Therapy with SolidWorks	PDF 118-121
<i>Felix Krisna Aji Nugraha, Antonius Hendro Noviyanto, Baskoro Latu Anurogo</i>	
Design and Manufacture of Portable Coffee Roaster with LPG Heater System	PDF 122-126
<i>Dedi Suryadi, Satryo Ramadhani, Agus Suandi, Nurul Iman Suparrrdi, Novalio Daratha</i>	
The Effect of Adding Aluminum Scrap to Motor Vehicle Mufflers to Reduce the Danger of Exhaust Emissions	PDF 127-130
<i>Ahmad Marabdi Siregar, Chandra Amirsyahputra Siregar, Khairul Umurani, Mulyadi Mulyadi, Tony Siagian, ML Teguh Samudra, Aufa Afika</i>	
Experimental Review of Cold Storage for Fishery Products in Aceh Island using Solar Energy	PDF 131-133
<i>Khairunnas Nas Khairunnas, Ahmad Syuhada, Sarwo Edhy Sofyan</i>	
Gas Turbine Maintenance Optimizing using the Reliability-Centered Maintenance Method	PDF 134-139
<i>Darmeim Darmeim, Marzuki Marzuki, Zuhaimi Zuhaimi, Fauzi Fauzi, Nurlaili Nurlaili, Luthfi Luthfi</i>	
Mechanical Properties Analysis of ASME SA-106 Grade B Pipe Material Welded Joints in Combination of SMAW and GTAW Welding	PDF 140-145
<i>Marzuki Marzuki, Turmizi Turmizi, Bukhari Bukhari, Nawawi Juhan, Akhyar Ibrahim, Aris Khatami</i>	
The Effect of Current Density on Mechanical Properties of Electroplated Thin Copper Foil	PDF 146-151

Browse

- » By Issue
- » By Author
- » By Title
- » Other Journals

INFORMATION

- » For Readers
- » For Authors
- » For Librarians

KEYWORDS

: Oil Treatment, Motor bensin, Viskositas, Aditif. Air cooling, fin lapping, thermal performance, photovoltaic, and simulation CFD
 CAD/CAE CD304SS, mechanical strength, transient deformation, high temperature, dislocation. Carbide cutting tool, TiAlN/Al₂O₃ & TiN, tool life, side wear (VB), Taylor Equation Characteristic, Filament 3D, 3D Printer, Simulation, and Experiment
 DOE Direct solar dryer, Indirect solar dryer FDM Handcycle, adjustable chair, stress analysis, disabilities Impact strength, composite, sugar palm fiber (SPF), polyester, fiber volume fraction Magnesium AZ31B, Bone Screws, FEA, Pullout, Torsion, Bending, Small axial pico-propeller turbine, runner blades, design, experiment test Solar drying Solar module, Rooftop solar power plants, On-grid, AMR kWh meter, kWh export-import Turpentine oil, Torque, Power, and Specific Fuel Consumption. coconut fiber human hair mechanical properties polyester volume fraction

Web Traffic Analysis



WRITING TOOLS



JOURNAL HELP

Received on 2022-08-05, Reviewed on 2022-11-03, Accepted on 2022-11-10, Copy edited on 2023-02-24, Layout edited on 2023-02-25 and Available online on 2023-02-28

Static continuous passive motion machine simulation tacle therapy with SolidWorks

Felix Krisna Aji Nugraha^{1,*}, Antonius Hendro Noviyanto², Baskoro Latu Anurogo³

^{1,3}Mechanical Design Technology, University of Sanata Dharma of, Yogyakarta 55282, Indonesia

²Electromedical Technology, University of Sanata Dharma, Yogyakarta 55282, Indonesia

*Corresponding author: felix@usd.ac.id

Abstract

Patients with joint injuries or after joint surgery are expected to perform the passive and continuous movement to avoid joint stiffness. This passive and continuous movement can be done with the help of a Continuous Passive Motion Machine (CPM machine). CPM machine is a therapeutic tool used to rehabilitate patients with joint injuries or post-joint surgery. In this study, a simulation test of therapeutic equipment for the ankle joint that can be moved rotationally will be carried out. The method that will be used in this research is the Finite Element Analysis (FEA) method to analyze and simulate the strength of the elements used in the design model. The results to be sought in this study are the results of the stress and yield strength of the tool, so that the safety of the tool design will be known. The simulation results using carbon iron get a maximum stress of 3.012×10^5 N/m² and yield strength of 2.20594×10^8 . Based on the results obtained in this study, it can be concluded that the CPM machine design is safe and strong to be realized.

Keywords:

static simulation, continuous passive motion, solid works, stress, yield strength

1 Introduction

Patients with limited movement of the crank joint or post-traumatic joint of the crank joint require a long rest and are needed to make light movements in the crank joint. Such light movements can be helped by tools that can move passively and continuously. So, passive and continuous movement can restore the limitation of motion of the crank joint [1]. A constant Passive Motion (CPM) machine is a therapeutic tool used to assist patients in moving the crank joint after the patient undergoes crank joint surgery [2][3]. The working principle of this therapeutic tool is to carry out passive and continuous movements. This passive and constant movement aims to prevent the patient from experiencing stiffness in the crank joints [4][5]. CPM machine is a medical device that has strict quality control, so it does not pose a danger to patients who use the device.

Tool safety can be determined by performing a tool simulation to assess the level of stress, strain, displacement, and yield strength using solid work software [6][7]. The most widely used method for analyzing elements is the Finite Element Analysis (FEA) method [8]. This FEA method can be used before making a prototype tool.

The study aimed to determine the CPM machine's stress and yield strength of the CPM machine. The stress level in this study

was used to determine the resistance strength of the device to support the load from the patient's legs. While the yield strength in this study is used to analyze the frame strength of the CPM machine design.

2 Methodology

The development of Computer Aided Design (CAD) technology is very helpful in designing a product or machine. The process of creating in manufacturing industries uses a lot of time. An engineer who has experience in using CAD can use various tools/facilities in CAD software in multiple applications in mechanical engineering so that the time spent designing can be done shorter, and productivity and quality can be produced better [9].

2.1 Research methods

The simulation process to analyze strengths uses SolidWorks 2018 software that can simulate the strength of the elements in the designed model [10]. Strength analysis of the design both geometrically and shape using a static load of the foot weight of the patient to be treated.

2.2 Simulation process

The simulation process carried out with the help of SolidWorks software will produce external data that is by the selected material, type of analysis, type of loading, and direction of loading. The resulting output is then compared with the clearance stress of the design and the material used. The flowchart indicates the stages in Fig 1:

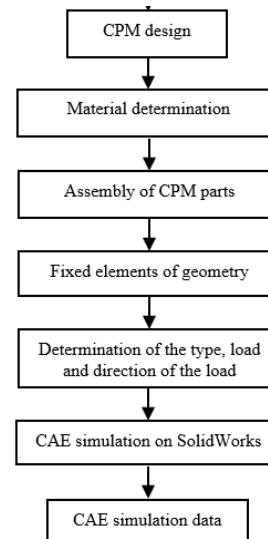


Fig 1. Research flowchart

The CPM machine design plan will be used for hospitals and clinics so that it has criteria in terms of function, economy, and additional safety [11]. Table 1 describes the specifications of the CPM machine design. CPM design for crank joint therapy with material from all elements determined using plain carbon. the specification depicted in table 2 [12].

Table 1. CPM Specifications

No	Specifications	User Restrictions
1	Geometry	Therapeutic dimensions used for 1 leg
2	Performance	Movement CPM machine is rotational motion, with a maximum rotational speed of 5rpm
3	Use	Perfectly seated patient position
4	Material	Carbon steel
5	Displacement	Deflection less than 3 mm
6	Production	Easy in the provision of materials and machining processes

Table 2. Material specifications

Properties	Carbon Iron Material
Yield strength [N/m ²]	220594000 N/m ²
Elastic modulus [MPa]	2.1×10^{11} N/m ²
Poisson's ratio	0,28 N/A
Mass density [kg/m ³]	7800 kg/m ³
Tensile strength [N/m ²]	399826000 N/m ²

This static simulation process aims to find out the strength of the CPM machine against loading. The first stage in this simulation is determining fixtures in the form of fixed geometry [13]. Fixed geometry is a buffer in real conditions when the CPM machine is used. There are 9 pieces of fixed geometry used. Furthermore, the provision of a load or load in the form of legs from the treated patient. Determination of the foot load of patients who will undergo therapy with this CPM machine by 1.5 kg (15 Newton). By using a safety factor of 2, the load will be simulated by 3 Newtons [14]. The load or load is considered a static load which is a compressive load against the surface of the element that supports the patient's foot. After the process, a gravity direction of 9.81m/s^2 is also determined. Next process is the meshing. In FEA, meshing is one of the steps in running a simulation. Meshing aims to divide a component into a continuous geometric shape. the smaller the size of the continuous geometry, the more accurate the meshing of the component model to be simulated. On the CPM machine, the meshing use meshing parameters using a standard mesh with a fine mesh density. At that parameter, the largest mesh size with dimensions of 7.6358318 mm with a tolerance of 0.38179159 mm is seen in fig 2(a) and Fig 2(b)-(d)[15].

3 Result and discussion

The meshing process in the 3-dimensional machine design is seen in fig 3:

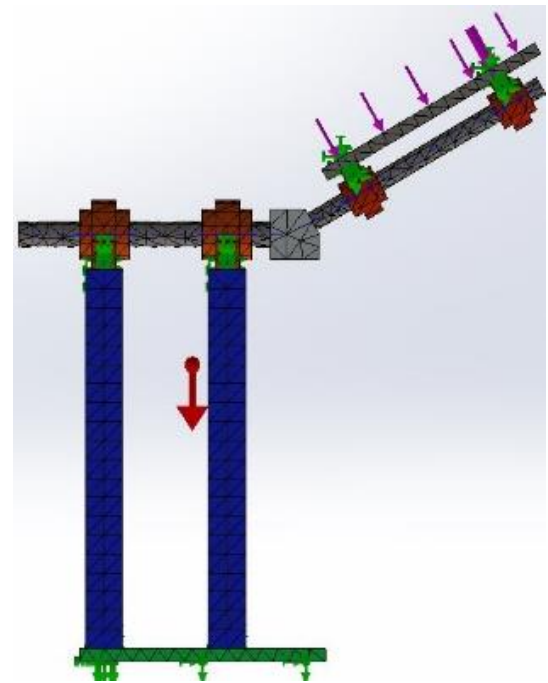
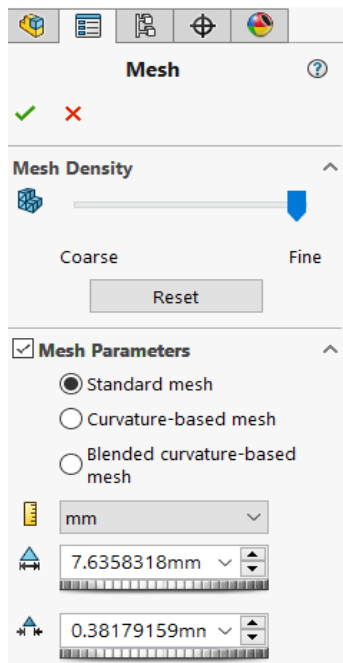
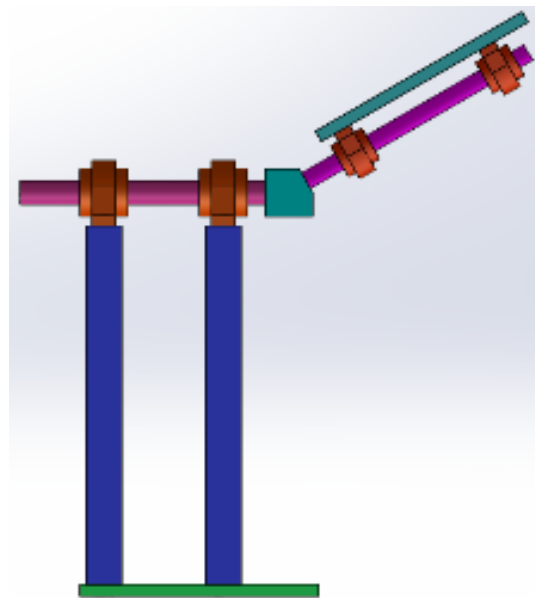


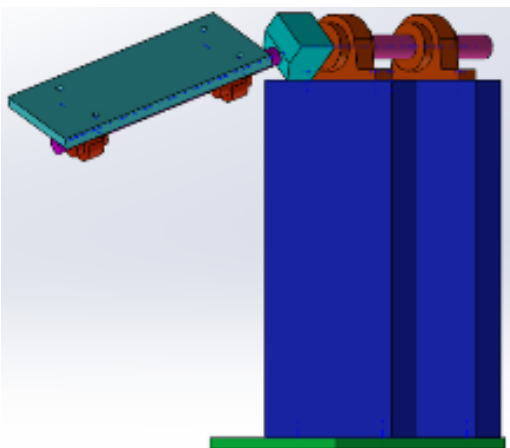
Fig 3. Loading and meshing results on the CPM machine



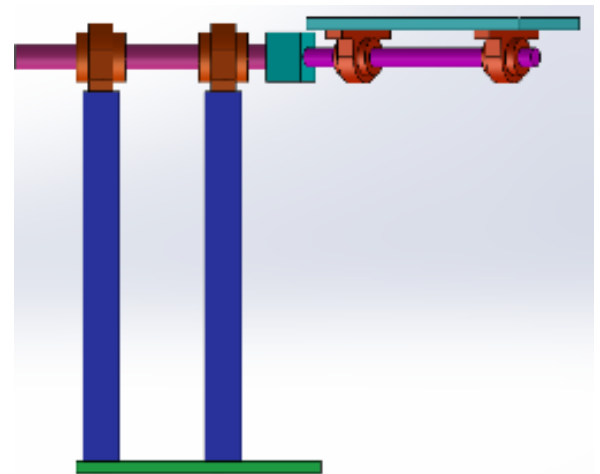
(a)



(b)



(c)



(d)

Fig.2 Meshing and Images (a) Meshing parameter (b) at load position on CPM machine 0° , (c) at load position on CPM machine 45° , and (d) at load position on CPM machine 90°

Using the standard engine from SolidWorks software, meshing that occurs in the CPM machine in table 3.

Table 3. Results of meshing of the CPM machine

No	Mesh information	Detail
1	Total Nodes	103035
2	Total Elements	65779
3	Maximum Aspect Ratio	13.76

The simulation process is based on ankle movements, namely plantarflexion and dorsiflexion [16]. The simulation takes 3 positions of the patient's feet at the time of therapy, namely at 0°, 45°, and 90°. The simulation results on each position with the same load in fig 4-6.

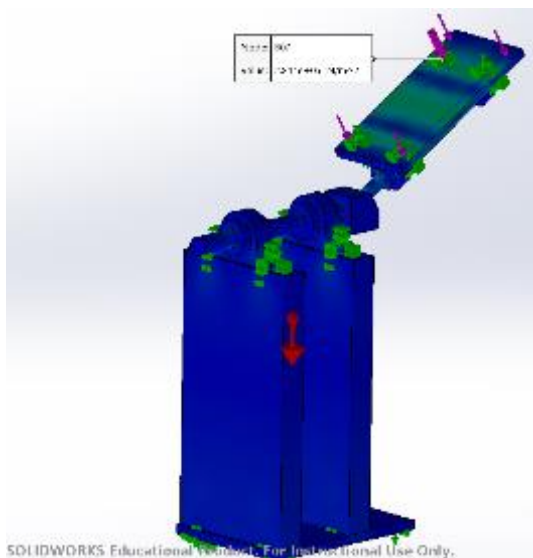


Fig 4. The maximum stress that occurs at a position of 0°

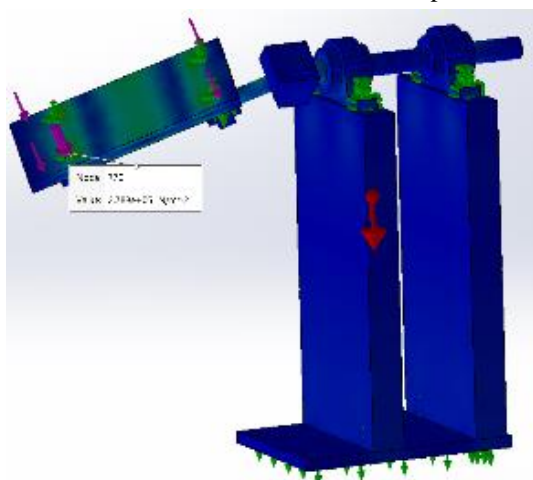


Fig 5. The maximum stress that occurs at position 45°

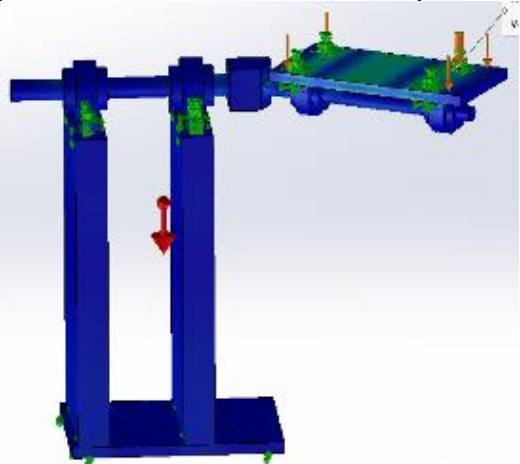


Fig 6. The maximum stress that occurs at the position of 90°

Of the three positions, the results of the calculation for the stress that occurs in the CPM machine can be seen in table 4:

Table 4. Results of stress at each position of the CPM machine

No	Position	Stress Maximum (N/m ²)
1	0°	2.811e+05
2	45°	2.789e+05
3	90°	3.012e+05

From the results of the simulation carried out, the largest stress occurred at the time of position 90° of 3.012x10⁵ N/m². With a yield strength of 2.20594x 10⁸ N/m², while with the maximum stress that occurs the design is still below the yield strength of the selected material.

The motion movement produced on this CPM machine is more complete by producing 360° rotational motion. So that the movement is a combined movement of plantarflexion and dorsiflexion movements, and moves simultaneously between the two movements.

4 Conclusion

From the simulation results of the CPM machine design that uses carbon iron material as a tool for therapy of crank injuries, a maximum stress that occurs is obtained by 3.012x10⁵ N / m² and yield strength of 2.20594x 10⁸. It can be concluded that the design of the CPM machine is safe and strong. In the future, it is possible to modify in terms of dimensions and shapes of the elements in the machine.

References

- [1] A. Konseptual and S. Sumartiningsih, "Cedera Keseleo pada Pergelangan Kaki (Ankle Sprains)," *Juli Disetujui: Juni*, vol. 2, pp. 2088–6802, 2012. [Online]. Available: <http://journal.unnes.ac.id/nju/index.php/miki>
- [2] S. Miyaguchi, K. Nojiri, N. Matsunaga, and S. Kawaji, "On Effective Movement in CPM for Shoulder Joint," in *IEEE International Conference on System, Man and Cybernetics*, 2008.
- [3] S. Miyaguchi, N. Matsunaga, K. Nojiri, and S. Kawaji, "Impedance control of CPM device with flex-/extension and pro-/supination of upper limbs," *IEEE/ASME Int. Conf. Adv. Intell. Mechatronics, AIM*, 2007, doi: 10.1109/AIM.2007.4412449.
- [4] A. H. Noviyanto, L. D. Septilianingtyas, and D. Rahmawati, "Design of a continuous passive motion (CPM) machine for wrist joint therapy," *J. Robot. Control*, vol. 2, no. 4, pp. 311–315, 2021, doi: 10.18196/jrc.2498.
- [5] A. H. Noviyanto, "Saving the Moving Position on the Continuous Passive Motion Machine for Rehabilitation of Shoulder Joints," *Int. J. Appl. Sci. Smart Technol.*, vol. 01, no. 02, pp. 121–128, 2019, doi: 10.24071/ijasst.v1i2.1921.
- [6] W. D. Callister Jr and D. G. Rethwisch, *Materials Science and Engineering - An Introduction 10th Edition*. 2018.
- [7] P. Kurowski, "Engineering Analysis with SolidWorks," p. 5, 2013, [Online]. Available: https://books.google.es/books?hl=es&lr=&id=rAKzqT4edh4C&oi=fnd&pg=PA1&dq=solidworks+&ots=5HpruoEYok&sig=kP_jTmAEDFGEDdYz4fbi812YiE#v=onepage&q&f=true
- [8] Fahd Riyal Pris, Budhi M Suyitno, and Amin Suhadi, "Analisis Kekuatan Velg Aluminium Alloy 17 Inc Dari Berbagai Desain Menggunakan Metode Finite Element Analysis (Fea).," *Teknobiz J. Ilm. Progr. Stud. Magister Tek. Mesin*, vol. 9, no. 2, pp. 33–39, 2019, doi: 10.35814/teknobiz.v9i2.558.
- [9] F. K. A. Nugraha and A. H. Noviyanto, "Spur Gears Transmission Analysis on Countinuous Passive Motion Machine Design for Shoulder Joint," *Int. J. Appl. Sci. Smart*

- [10] N. A. Puspitasari, Marsono, and M. P. Nugraha, "Simulasi Stress Analysis Pembebanan Statis Dengan Bantuan Software SolidWorks Pada Hasil Perancangan Ladder Frame Chassis Mobil Listrik Menggunakan Material AISI 4340," 2021.
- [11] R. Trochimczuk, T. Kuźmierowski, and P. Anchimiuk, "Study of CPM Device used for rehabilitation and effective pain management following knee alloplasty," *Int. J. Appl. Mech. Eng.*, vol. 22, no. 1, pp. 241–251, 2017, doi: 10.1515/ijame-2017-0014.
- [12] R. S. Khurmi and J. K. Gupta, *Machine Design*. New Delhi: Eurasia Publishing House, 2005.
- [13] J. R. Steffen and S. S. Nudehi, *Analysis of Machine Elements Using SolidWorks Simulation 2017*. Kansas: SDC Publishing, 2017.
- [14] R. Zhao, M. Vahora, and J. Li, "Computer Aided Artificial Ankle Joints Design," no. August, 2018, doi: 10.17148/IARJSET.2018.5414.
- [15] G. Verma and M. Weber, *SolidWorks Simulation 2017 Black Book*. New Delhi: CAD/CAM/CAE WORKS, 2016.
- [16] A. Alipour and M. J. Mahjoob, "A rehabilitation robot for continuous passive motion of foot inversion-eversion," *4th RSI Int. Conf. Robot. Mechatronics, ICRoM 2016*, pp. 349–354, 2017, doi: 10.1109/ICRoM.2016.7886763.